

OSI METERING-CLASS CURRENT TRANSFORMERS

DESCRIPTION

The UL-Recognized metering-class current transformers provide the most accurate method of measuring AC current available. These transformers are typically used with AGW, GW5, GV5 and GH series Watt, Watt/VAR, & Watt/Watthour and VAR transducers to provide accurate, reliable power measurements.

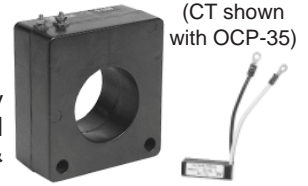


5 YEAR WARRANTY

ACCURATE TO 0.3%

FEATURES

- For use with high-accuracy AGW, GW5, GV5 and GH series Watt, Watt/VAR, & Watt/Watthour transducers.
- Meets ANSI specifications for sub-metering applications.
- An open-secondary protection device is available separately. See OCP-35 specification sheet for details.

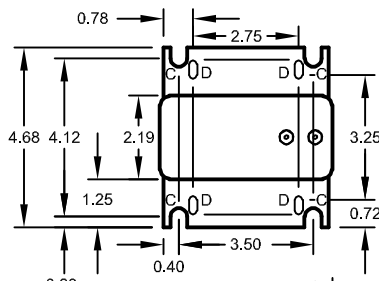


CURRENT RATIO	DIM. DWG.	PART NUMBER	WT. (LBS)	ANSI METERING-CLASS ACCURACY (60HZ)					RELAY CLASS	CONTINUOUS THERMAL RATING FACTOR	
				B 0.1	B 0.2	B 0.5	B 0.9	B 1.8		@30°C	@55°C
				100:5	1	12973	5.5	0.6		0.6	2.4
150:5	1	12974	5.5	0.3	0.3	1.2	1.2	2.4	C10	2.0	2.0
200:5	1	12975	5.5	0.3	0.3	0.6	1.2	2.4	C10	2.0	2.0
250:5	1	12976	5.5	0.3	0.3	0.3	0.6	1.2	C20	2.0	1.5
300:5	1	12977	5.5	0.3	0.3	0.3	0.3	0.6	C20	1.5	1.33
400:5	1	12978	5.5	0.3	0.3	0.3	0.3	0.6	C20	1.5	1.0
400:5	3	12316	13.8	0.3	0.3	0.3	0.6	1.2	C20	2.0	2.0
500:5	2	13480	3.5	0.3	0.3	0.3	0.3	0.6	C10	1.5	1.0
500:5	3	12317	13.8	0.3	0.3	0.3	0.6	0.6	C20	2.0	1.5
600:5	2	13481	3.5	0.3	0.3	0.3	0.6	0.6	C10	1.5	1.0
600:5	3	12318	13.9	0.3	0.3	0.3	0.3	0.6	C50	2.0	1.5
800:5	2	13483	3.5	0.3	0.3	0.3	0.3	0.3	C10	1.0	0.8
800:5	3	12319	14.2	0.3	0.3	0.3	0.3	0.3	C50	1.5	1.33
1000:5	2	13484	3.5	0.3	0.3	0.3	0.3	0.3	-	1.0	0.8
1000:5	3	12320	14.4	0.3	0.3	0.3	0.3	0.3	C100	1.5	1.0
1200:5	2	13485	3.5	0.3	0.3	0.3	0.3	0.3	-	1.0	0.8
1200:5	3	12321	12.2	0.3	0.3	0.3	0.3	0.3	C50	1.5	1.0
1500:5	2	13486	3.5	0.3	0.3	0.3	0.3	0.3	-	1.0	0.6
1500:5	3	12322	12.6	0.3	0.3	0.3	0.3	0.3	C100	1.33	1.0
2000:5	3	12323	13.3	0.3	0.3	0.3	0.3	0.3	C100	1.0	0.8
2500:5	3	12324	12.0	0.3	0.3	0.3	0.3	0.3	C100	1.0	0.8
3000:5	3	12325	12.5	0.3	0.3	0.3	0.3	0.3	C100	1.0	0.6

SPECIFICATIONS

Frequency..... 50-400Hz Terminals
 Insulation Class 600V Type..... Brass studs, no. 8-32, with hardware
 Impulse Level 10kV, full-wave Maximum Torque Value..... 16in.-lbs.

DRAWING 1

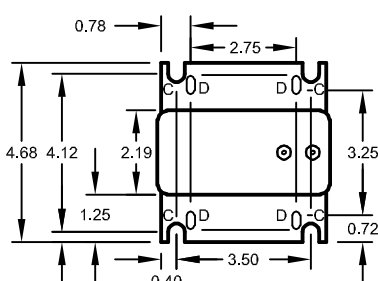


HOLE INFO:
 A. 1.25 DIA (1 PLC)
 B. 0.42 DIA (2 PLCS)
 C. 0.44 X 0.50 SLOT (4 PLCS)
 D. 0.22 X 0.50 SLOT (4 PLCS)

NOTES:
 1. ALL DIMENSIONS IN INCHES. TOLERANCE: ±0.03 INCHES.
 2. INCLUDES MOUNTING BRACKETS.

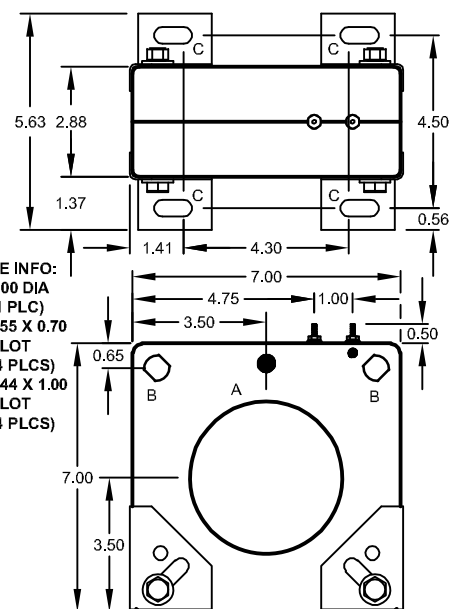
Dwg# 0902-00920-B Rev --

DRAWING 2



HOLE INFO:
 A. 2.50 DIA (1 PLC)
 B. 0.42 DIA (2 PLCS)
 C. 0.44 X 0.50 SLOT (4 PLCS)
 D. 0.22 X 0.50 SLOT (4 PLCS)

DRAWING 3



HOLE INFO:
 A. 4.00 DIA (1 PLC)
 B. 0.55 X 0.70 SLOT (4 PLCS)
 C. 0.44 X 1.00 SLOT (4 PLCS)

OHIO SEMITRONICS, INC.

4242 REYNOLDS DRIVE * HILLIARD, OHIO * 43026-1264
 PHONE: (614) 777-1005 * FAX: (614) 777-4511
 WWW.OHIOSEMITRONICS.COM * 1-800-537-6732